

Pressurized Reservoirs and Vials

LabSmith fluid reservoirs and vials are an affordable solution for fluid storage and delivery.

Our reusable PEEK™ reservoirs can be easily mounted to LabSmith breadboards. Each reservoir includes three base ports for efficient fluid pumping.

Our PEEK™ caps fit both the reservoirs and standard screw-top vials. Caps are available with 1, 2, or 3 ports, and each cap includes a Viton® O-ring seal for pressurization up to 250 psi (1800 kPa).



Lubricant (such as Chemplex 710) is recommended on the O-ring to achieve maximum pressure.

Each cap and reservoir port also requires a plug or one-piece fitting to connect to OD tubing (not included).



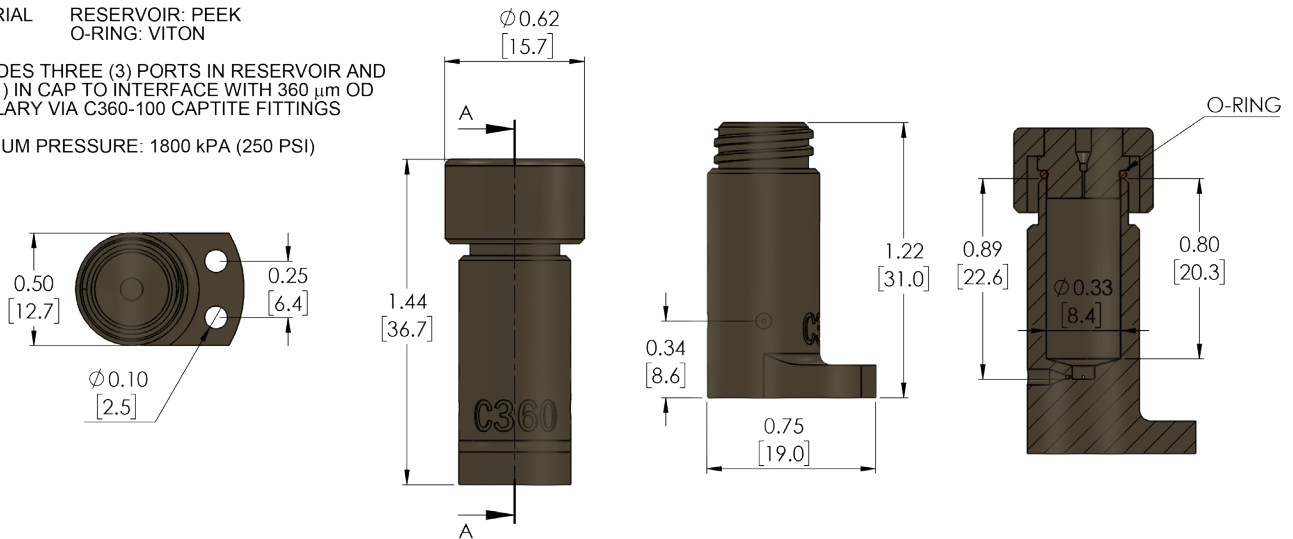
	CapTite™ Breadboard Reservoirs 1mL	Pressurized Vial Assembly
SKU	BBRES-1ML-[tubing size]	V-CAP-[tubing size]
Volume	1.1 mL	1.5 mL
Reservoir/ Vial Material	PEEK™	clear polypropylene
Cap Type	two-piece screw-top PEEK™ cap	
Seal Type	Viton® O-ring (two included with cap)	
No. of Reservoir Ports	3	N/A
No. of Cap Ports	1, 2, or 3	
Tubing Sizes	1/16" [T116], 1/32" [T132], or 360 µm [C360]	
Max Pressure	250 psi (1800 kPa)	

BBRES-C360-1ML: 1ml BREADBOARD RESERVOIR INCHES
(MM)

MATERIAL RESERVOIR: PEEK
O-RING: VITON

INCLUDES THREE (3) PORTS IN RESERVOIR AND ONE (1) IN CAP TO INTERFACE WITH 360 μ m OD CAPILLARY VIA C360-100 CAPTITE FITTINGS

MAXIMUM PRESSURE: 1800 kPa (250 PSI)

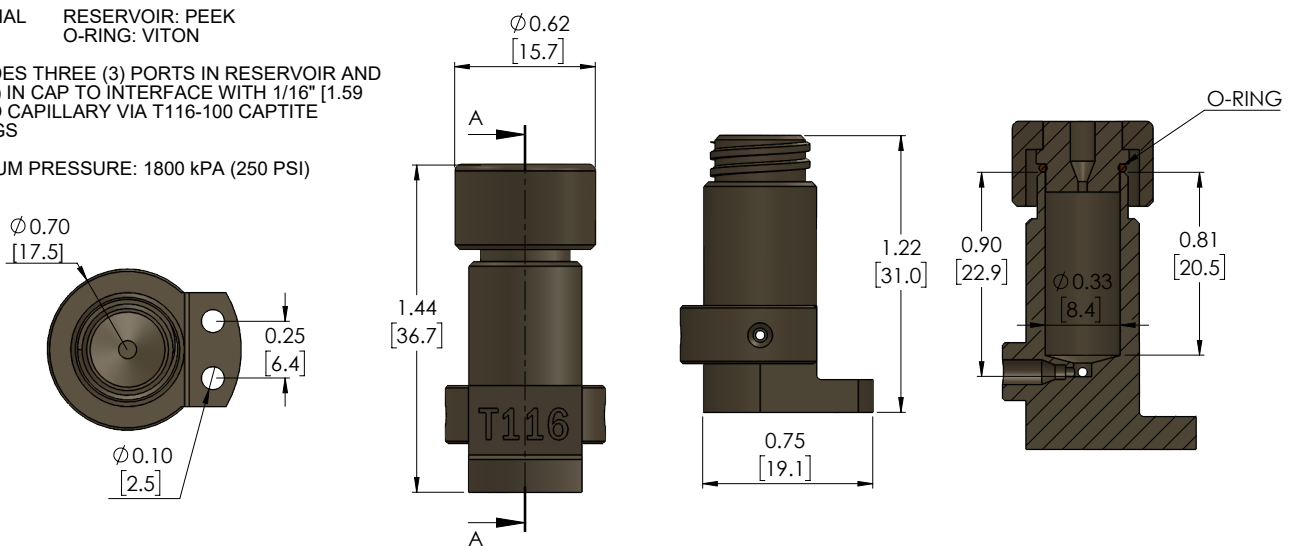


BBRES-T116-1ML: 1ml BREADBOARD RESERVOIR INCHES
(MM)

MATERIAL RESERVOIR: PEEK
O-RING: VITON

INCLUDES THREE (3) PORTS IN RESERVOIR AND ONE (1) IN CAP TO INTERFACE WITH 1/16" [1.59 mm] OD CAPILLARY VIA T116-100 CAPTITE FITTINGS

MAXIMUM PRESSURE: 1800 kPa (250 PSI)



V-CAP-T116-2: TWO-PORT VIAL AND CAP ASSEMBLY FOR 1/16" OD TUBING INCHES
(MM)

MATERIAL: PEEK (CAP), VITON (O-RING), and POLYPROPYLENE (VIAL)

TWO (2) T116-100 ONE-PIECE FITTINGS REQUIRE TO INTERFACE WITH TUBING (NOT INCLUDED)

