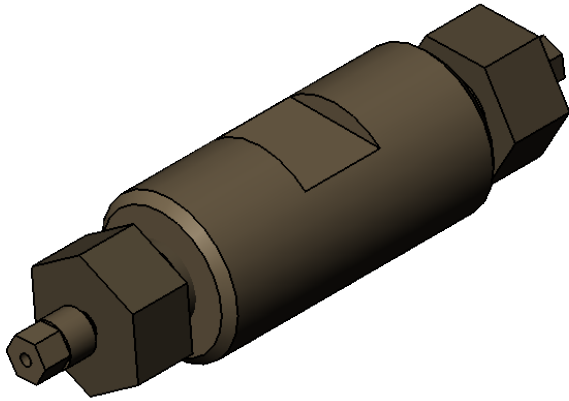


REFILLABLE CARTRIDGE DIMENSIONS

**INCHES
(MM)**



SPECIFY VOLUME AND CARTRIDGE CAP SIZE WHEN ORDERING
uCTG-[VOL]-[###] where,

[VOL] - see table below

MATERIAL: PEEK

[XXX] = [360] - endcap for 360um OD capillary
[116] - endcap for 1/16" OD tubing

Part Number	Wetted Volume (um)	Wetted Diameter (mm) [DIM 'A']	Wetted Length (mm) [DIM 'B']	Overall Length (mm) [DIM 'C']
uCTG-010-[XXX]	10.98	0.97	15	39.2
uCTG-050-[XXX]	49.51	2.05	15	39.2
uCTG-100-[XXX]	101.3	2.54	20	44.3
uCTG-150-[XXX]	151.0	3.10	20	44.3

