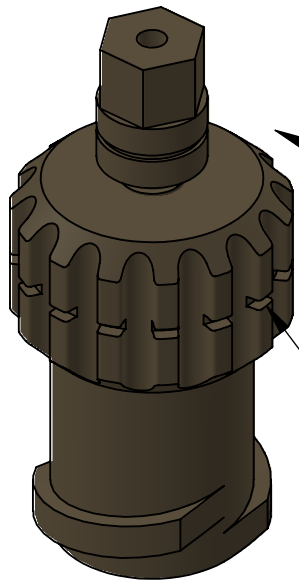


LUER-LOCK ADAPTER DIMENSIONS INCHES (MM)

MATERIAL: PEEK

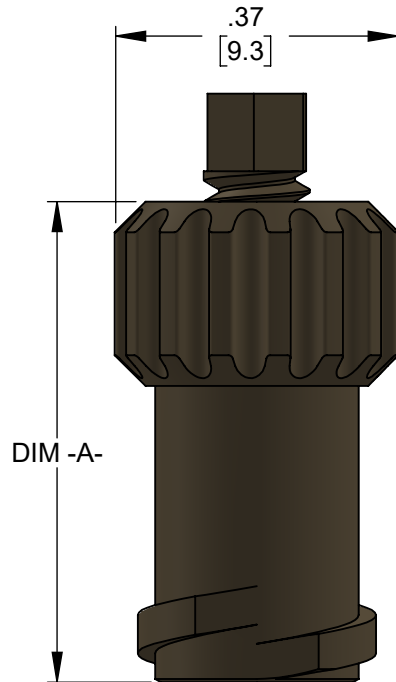
LUER LOCK ADAPTER P/N*	DIM -A-	DIM -B-	ONE-PIECE FITTING P/N	TUBING OD
C360-300	0.550 [14.0]	.01 [0.25]	C360-100	360µm
T132-300	0.550 [14.0]	.01 [0.25]	T132-100	1/32"
T116-300	0.626 [15.9]	.02 [0.50]	T116-100	1/16"

* Luer-lock adapters with part number ending in "A" include one-piece fitting

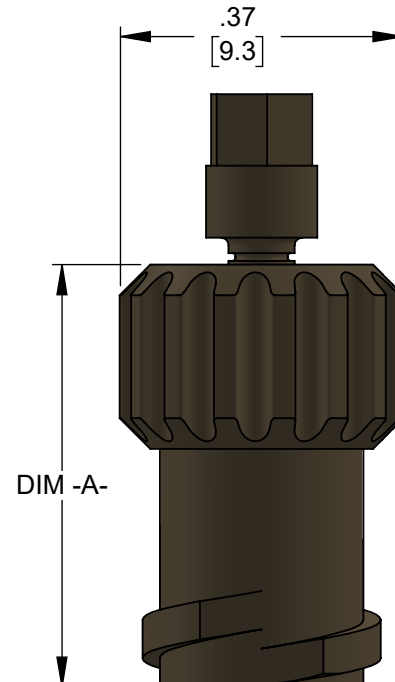


One-piece fitting
(included with luer lock
part numbers ending in
"A")

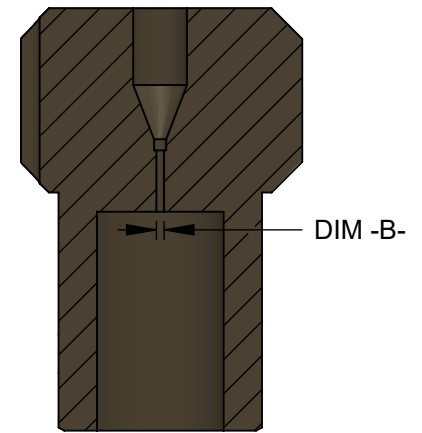
T132-300 has scribe line to
distinguish it from C360-300



T116-300A



C360-300A



Cutaway of C360-300