

uPS Series Pressure Sensor

- ▶ Compact, low-dead-volume design
- ▶ Threads directly to LabSmith Captite™ ports
- ▶ Use with uProcess software for coordinated and closed-loop control



Specifications

uPS Pressure Sensors Part Number uPS [XXXX]-[YYYY]-[ZZ]

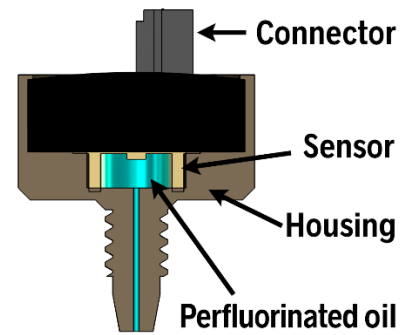
Range [XXXX]	Max Pressure	Damage Pressure	Resolution
0250	250 kPa abs (35 psia)	500 kPa abs	1 Pa
0800	800 kPa abs (115 psia)	1600 kPa abs	5 Pa

Model [YYYY]	
C360	Compatible with C360 (360 µm OD capillary) or T132 (1/32" OD tubing) components
T116	Compatible with T116 (1/16" OD tubing) components

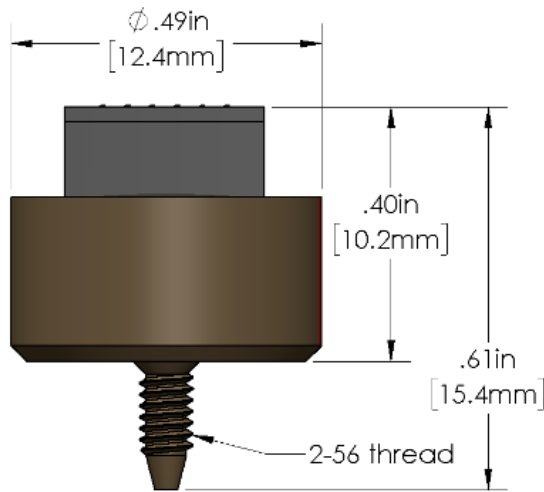
Accuracy [ZZ]	Drift	Hysteresis	Scale	Thermal
01	<0.2% F.S.	<0.1% F.S.	<0.2% F.S.	<0.03% F.S./°C

Temperature Range	15 °C - 60 °C (to achieve specified accuracy)
Working Temperature	0 °C - 100 °C
Housing Material	Peek®
Fill	Perfluorinated oil
Measures Vacuum?	Yes
Internal Volume	Oil filled, 6.5 µl
4AM01 Analog Manifold	Required. For connecting up to 4 uPS pressure or uTS temperature sensors; includes 4 flat flex connector cables.
EIB200 Automation Interface	Required for control of 4AM01 analog manifold via uProcess™ software; includes software, LabVIEW™ drivers, and SDK

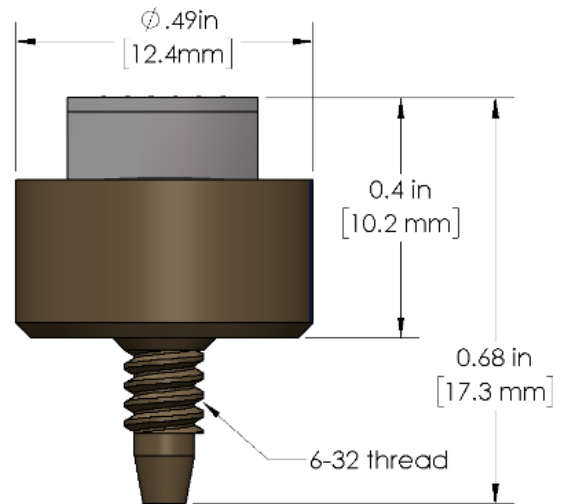
Dimensions and Labeling



Model C360



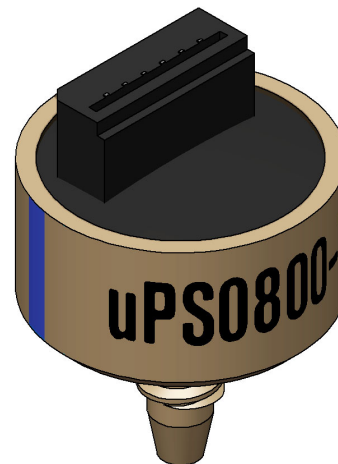
Model T116



Range 0250



Range 0800



CAD models available upon request

LabSmith | info@labsmith.com | www.labsmith.com

5981 Graham Court | Livermore, CA 94550 | +1 (925) 292-5161