

# SPS01 Programmable Syringe Pump

- ▶ Automated fluid delivery
- ▶ Direct connection to 360  $\mu\text{m}$ , 1/32" or 1/32" OD tubing
- ▶ Interchangeable syringes
- ▶ Use with uProcess software for coordinated control



## Specifications

SPS01 Syringe Pump Part Number SPS01 [XXX]-[YYYY]

Volume [XXX]	Max Volume ( $\mu\text{l}$ )	Min Flow Rate ( $\mu\text{l}/\text{min}$ )	Max Flow Rate ( $\mu\text{l}/\text{min}$ )	Step Size ( $\mu\text{l}$ )	Max Pressure (psig)
004	5	0.05	140	0.008	> 500
008	10	0.10	280	0.017	> 500
020	20	0.20	550	0.033	> 500
040	50	0.50	1400	0.083	300
080	100	1.0	2800	0.17	200

Model [YYYY]	Capillary or Tubing Interface	Available Models
C360	360 $\mu\text{m}$ OD capillary via p/n C360-100	004, 008, 020, 040, 080
T132	1/32" OD capillary via p/n T132-100	020, 080
T116	1/16" OD tubing via p/n T116-100	020, 080

### Accuracy

Volume	~1% (infuse direction)
Flow Rate	~1% (infuse direction)

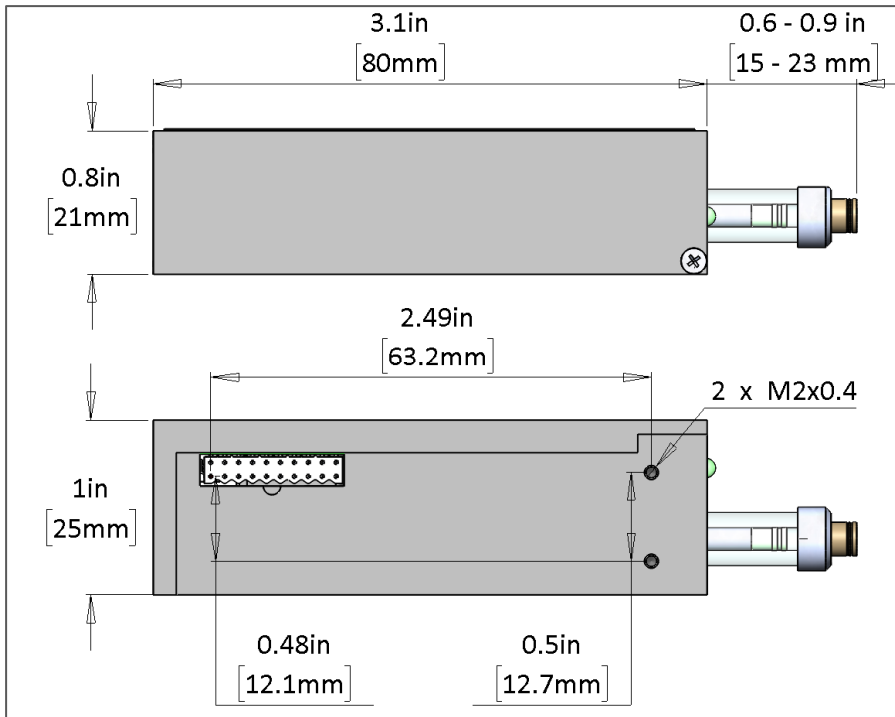
### Other Specifications

Stroke Length	12 mm
Driver motor	Stepper motor
Service Temperature Range	50-176°F (10-80°C)
Cleaning	Wetted parts can be chemically sterilized or autoclaved
Electrical connection	2.00 mm pitch, 20 pin, dual row receptacle

### Accessories

EIB200 Automation Interface	Required for control of SPS01 syringe pump and other uProcess devices via uProcess™ software; includes software, LabVIEW™ drivers, and SDK
uProcess breadboard	Optional platform for mounting SPS01 syringe pumps and other microfluidic devices. p/n uPB-05, uPB-08, uPB-12, or iBB
SPS-TOOLS	Hex tool for plunger removal/installation, hex wrench to secure glass.

# Dimensions



Syringe volume engraved on collar



Syringe model type is indicated by scribe marking on PEEK interface

- 2 lines: T116, interface to 1/16" OD tubing
- 1 line: T132, interface to 1/32" OD tubing
- 0 lines: C360, interface to 360 µm OD capillary



CAD model available upon request