

EIB uProcess Interface Specifications

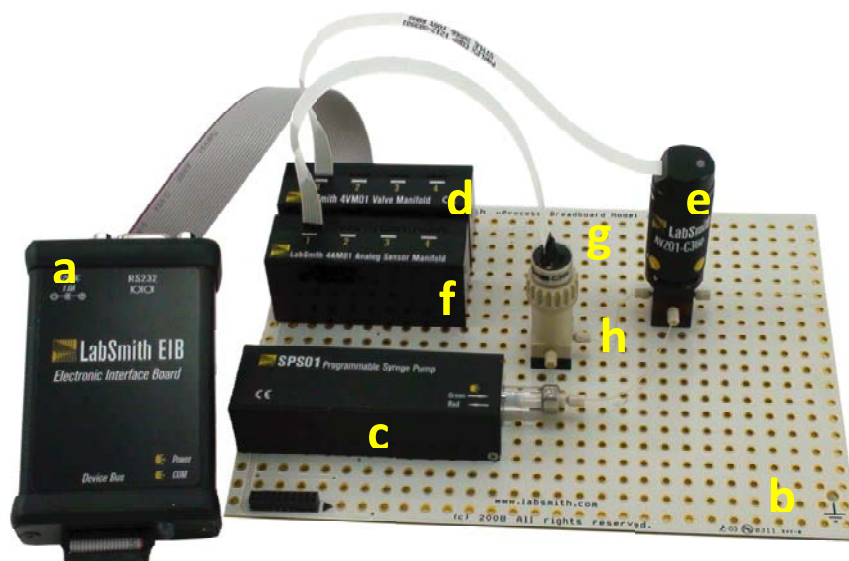
- For monitoring and controlling uProcess devices
- Controls over 100 devices
- Available with USB or RS232 computer interface



EIB200 actual size

Feature	EIB100	EIB200
Computer interface (cable included)	RS-232	micro USB 2.0
Case Material	plated aluminum	Conductive ABS
Power supply (included)	12 V/ 1.0 A	
Power jack connector	2.1 mm x 5.5 mm	
Control and data acquisition	uProcess™ Software, LabVIEW™ drivers, SDK (C++)	
uProcess Device communication (cable included)	2.00 mm pitch, 20 pin, dual row receptacle	

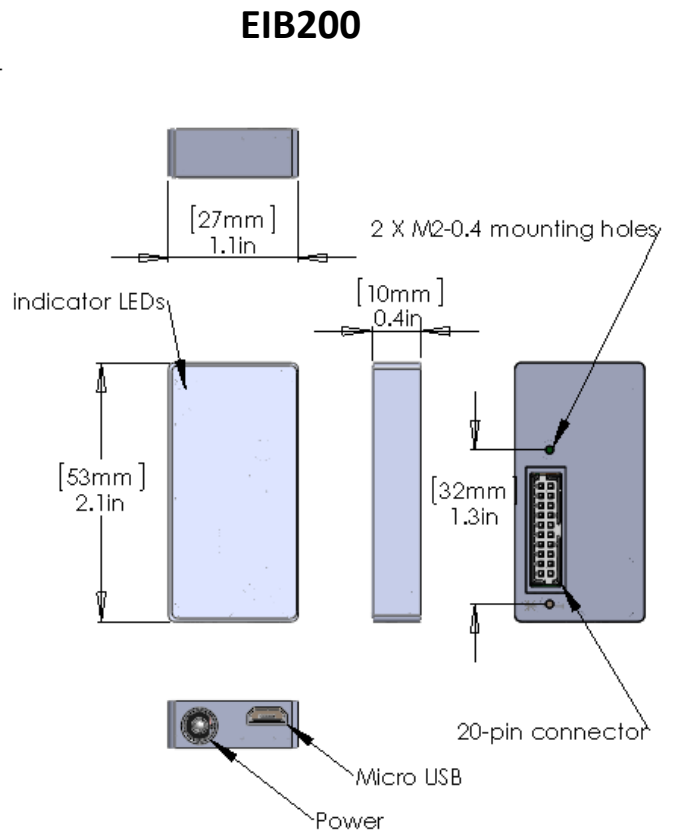
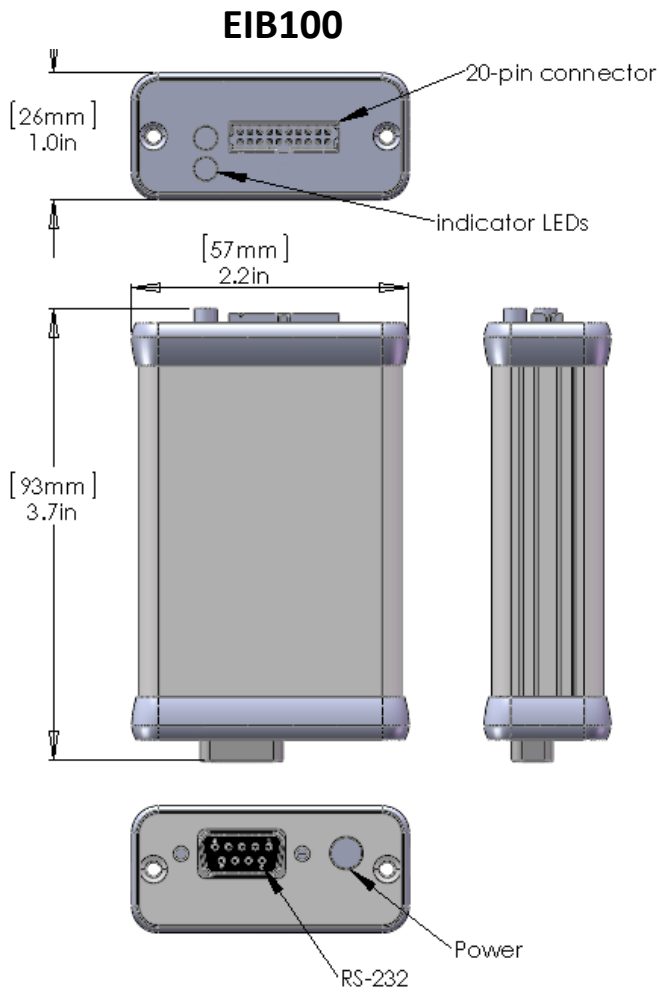
Accessories	
uProcess breadboard uPB-05, uPB-08, uPB-12, or iBB	optional platform for mounting SPS01 syringe pumps and other microfluidic devices;
SPS-TOOLS	hex tool for plunger removal/installation, hex wrench to secure glass, M2 screws (8) to secure syringe pumps to breadboard



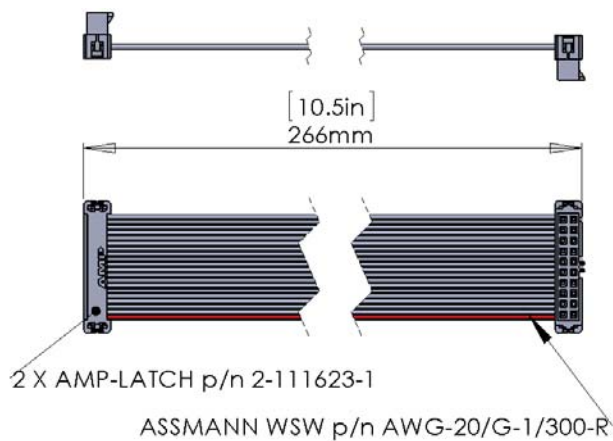
Typical uProcess™ Setup:

- uProcess Interface (EIB100 shown)
- uPB breadboard (uPB-05 shown)
- SPS01 programmable syringe pump
- 4VM01 valve manifold
- AV201 automated valve
- 4AM01 analog manifold
- uPS01 pressure sensor
- Breadboard reservoir

EIB uProcess Interface Specifications



EIB100/EIB200 Device Communication Cable
(contact LabSmith for custom lengths or configurations)



3-D models available upon request