

LabSmith SPS01 Programmable Syringe Pump

Specifications

- Automated fluid delivery
- Innovative software for coordinated control
- Direct connection to 360 mm, 1/32" or 1/16" tubing
- Interchangeable syringes



Part Number Specification SPS01 syringe pump with glass and plunger set: SPS01-XXX-YYYY
 glass and plunger set only: SG-XXX-YYYY

Model (XXX)	Max Volume (µl)	Min Flow Rate (µl/min)	Max Flow Rate (µl/min)	Step Size (µl)	Max Pressure (psig)
004	5	0.05	280	0.008	>500
008	10	0.10	560	0.017	>500
020	20	0.20	1100	0.033	>500
040	50	0.50	2800	0.083	300
080	100	1.0	5600	0.17	200

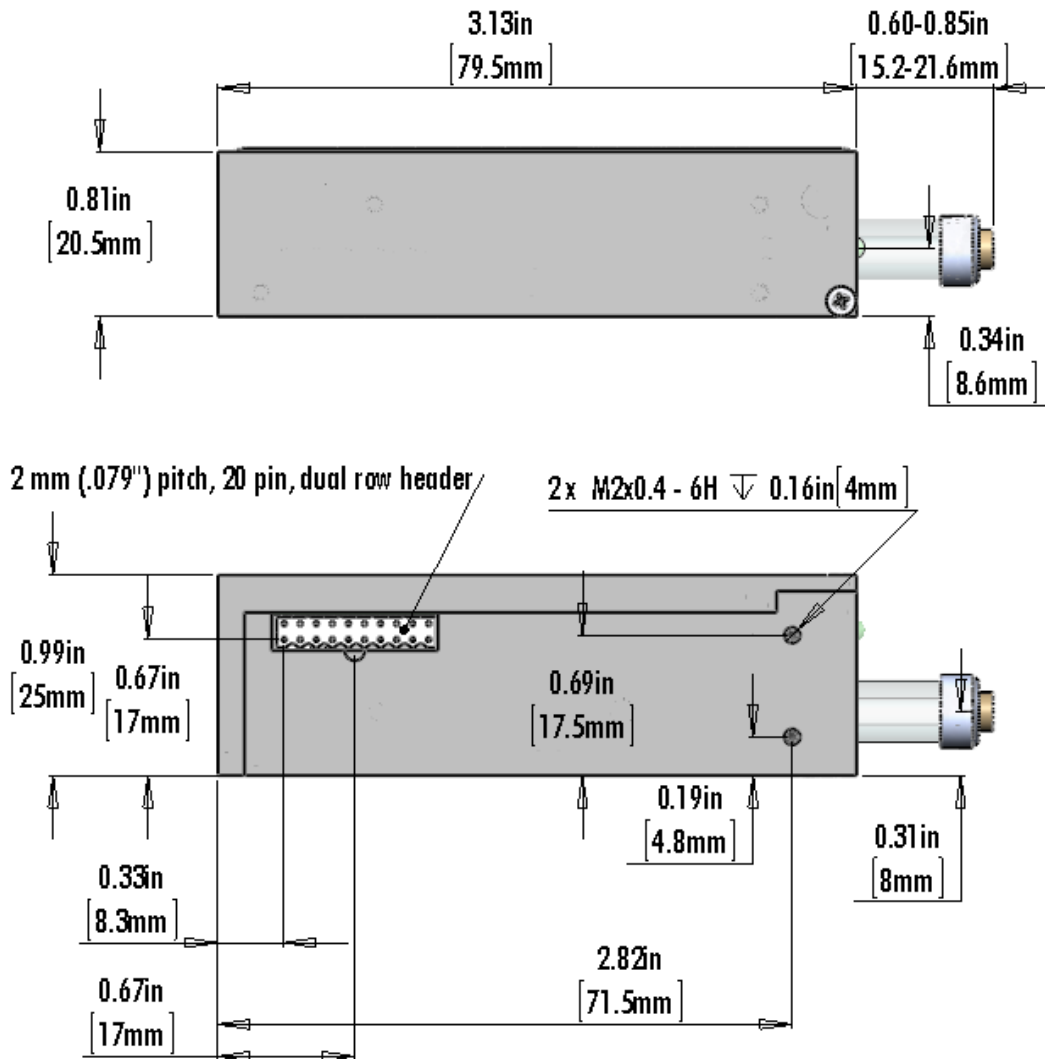
Model (YYYY)	Capillary or Tubing Interface	Available Models
C360	360 µm OD capillary via LabSmith p/n C360-100	004, 008, 020, 040, 080
T132	1/32" OD capillary via LabSmith p/n T132-100	020, 080
T116	1/16" OD tubing via LabSmith p/n T116-100	080

Accuracy	
Volume	~1 % (infuse direction)
Flow Rate	~1 % (infuse direction)

Material	
Housing	Delrin®
Syringe	borosilicate glass with PEEK™ interface
Plunger	stainless steel with Teflon® tip

Other	
Stroke Length	12 mm
Driver motor	stepper motor
Service Temperature Range	50 — 176°F (10 — 80°C)
Cleaning	wetted parts can be chemically sterilized or autoclaved
Electrical connection	2.00 mm pitch, 20 pin, dual row receptacle

LabSmith SPS01 Programmable Syringe Pump Specifications



3-D Model available upon request

Accessories	
EIB100 or EIB200	for control of SPS01 syringe pump and other uProcess devices; includes uProcess™ software, LabVIEW™ drivers, and SDK
uProcess breadboard uPB-05, uPB-08, uPB-12, or iBB	optional platform for mounting SPS01 syringe pumps and other microfluidic devices
SPS-TOOLS	hex tool for plunger removal/installation, hex wrench to secure glass, M2 screws (8) to secure syringe pumps to breadboard