

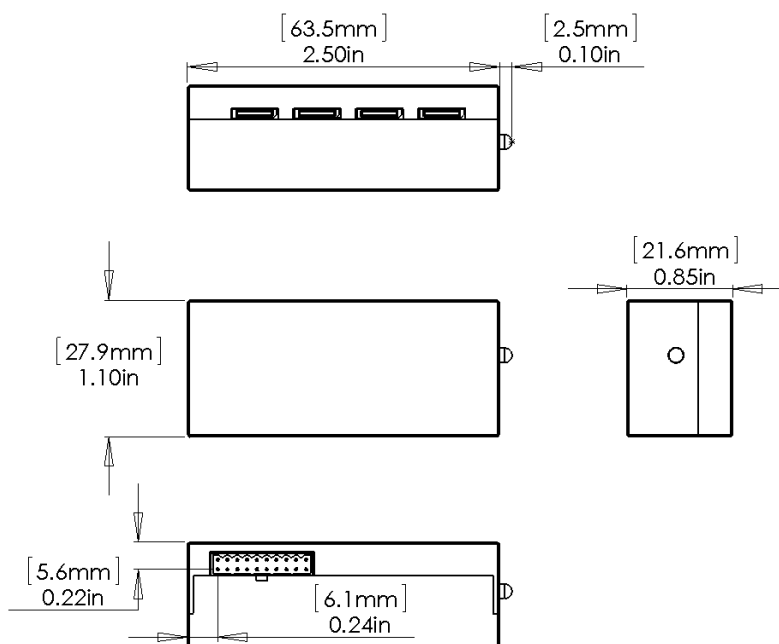
LabSmith 4AM01 Sensor Manifold

Specifications



- Controls up to four uPS pressure or uTS temperature sensors
- Interfaces with uProcess software for coordinated control

Specifications	
interface to sensors	flat flex ribbon cable
interface to EIB (or breadboard)	2.00 mm pitch, 20 pin, dual row receptacle
case material	plated aluminum
dimensions	2.50" x 0.85" x 1.10" (63.5 mm x 21.6 mm x 27.9 mm)



3-D Model available upon request